

# START-STOP AUXILIARY



## RECHARGEABLE SEALED LEAD ACID BATTERY

Power Sonic's auxiliary batteries are designed specifically to deliver exceptional performance for high demanding start-stop vehicles.

With an enhanced cycle life, our maintenance free batteries can cope with the increased power demand from fuel saving technologies. They can deliver reliable power to a wide range of electrical equipment, as a complement to the main starter battery, even when the engine is idle. Ideal for cars, SUVs, vans and vehicles with start-stop technology and power hungry electrical equipment.





## PS-AUX SERIES

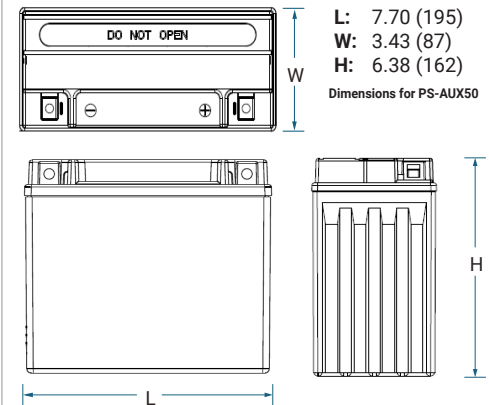
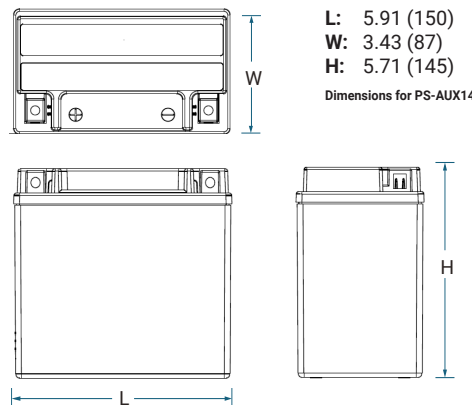
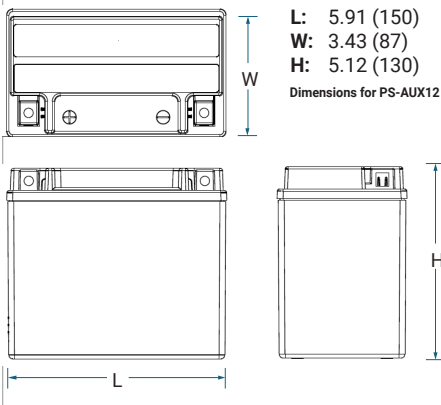
Rechargeable Sealed Lead Acid Batteries



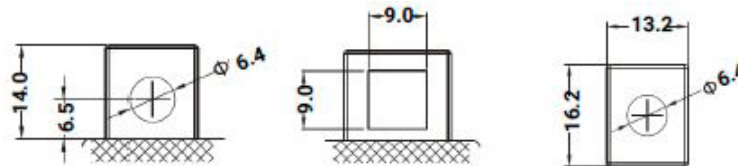
### BATTERY FEATURES

- Enhanced cycle life
- Absorbed glass mat (AGM) technology
- Optimized for low state of charge operations
- Super safe with spill proof design and no free acid
- 100% maintenance free
- Excellent performance in all weather conditions
- Highly vibration and impact resistant
- Long shelf life with low self discharge
- Original equipment fitment

**PHYSICAL DIMENSIONS: inch (mm)** Tolerances are +/- 0.04 in. (+/- 1mm) and +/- 0.08 in. (+/- 2mm) for height dimensions. All data subject to change without notice.



### TERMINALS: (mm)



### SPECIFICATIONS

Model	Nominal Voltage V	Rated Capacity AH	CCA	Dimensions: inch (mm)							Weight		
				Length		Width		Height		Total Height		lbs.	kgs.
				inch	mm	inch	mm	inch	mm	inch	mm		
PS-AUX12	12.0	10.0	130	5.91	150	3.43	87	5.12	130	5.12	130	7.96	3.62
PS-AUX14	12.0	12.0	200	5.91	150	3.43	87	5.71	145	5.71	145	9.50	4.31
PS-AUX50	12.0	21.0	300	8.07	205	3.43	87	6.38	162	6.38	162	15.44	7.00

#### GLOBAL HEADQUARTERS (USA AND INTERNATIONAL EXCLUDING EMEA)

Power-Sonic Corporation  
365 Cabela Dr Suite 300,  
Reno, Nevada 89523  
USA  
T: +1 619 661 2020  
E: customer-service@power-sonic.com

#### POWER-SONIC EMEA (EMEA – EUROPE, MIDDLE EAST AND AFRICA)

Smitspol 4, 3861 RS Nijkerk,  
The Netherlands  
T NL: + 31 33 7410 700  
T UK: + 44 1268 560 686  
T FR: + 33 344 32 18 17  
E: salesEMEA@power-sonic.com

#### FURTHER INFORMATION

Please refer to our website [www.power-sonic.com](http://www.power-sonic.com) for a complete range of useful downloads, such as product catalogs, material safety data sheets (MSDS), ISO certification, etc.